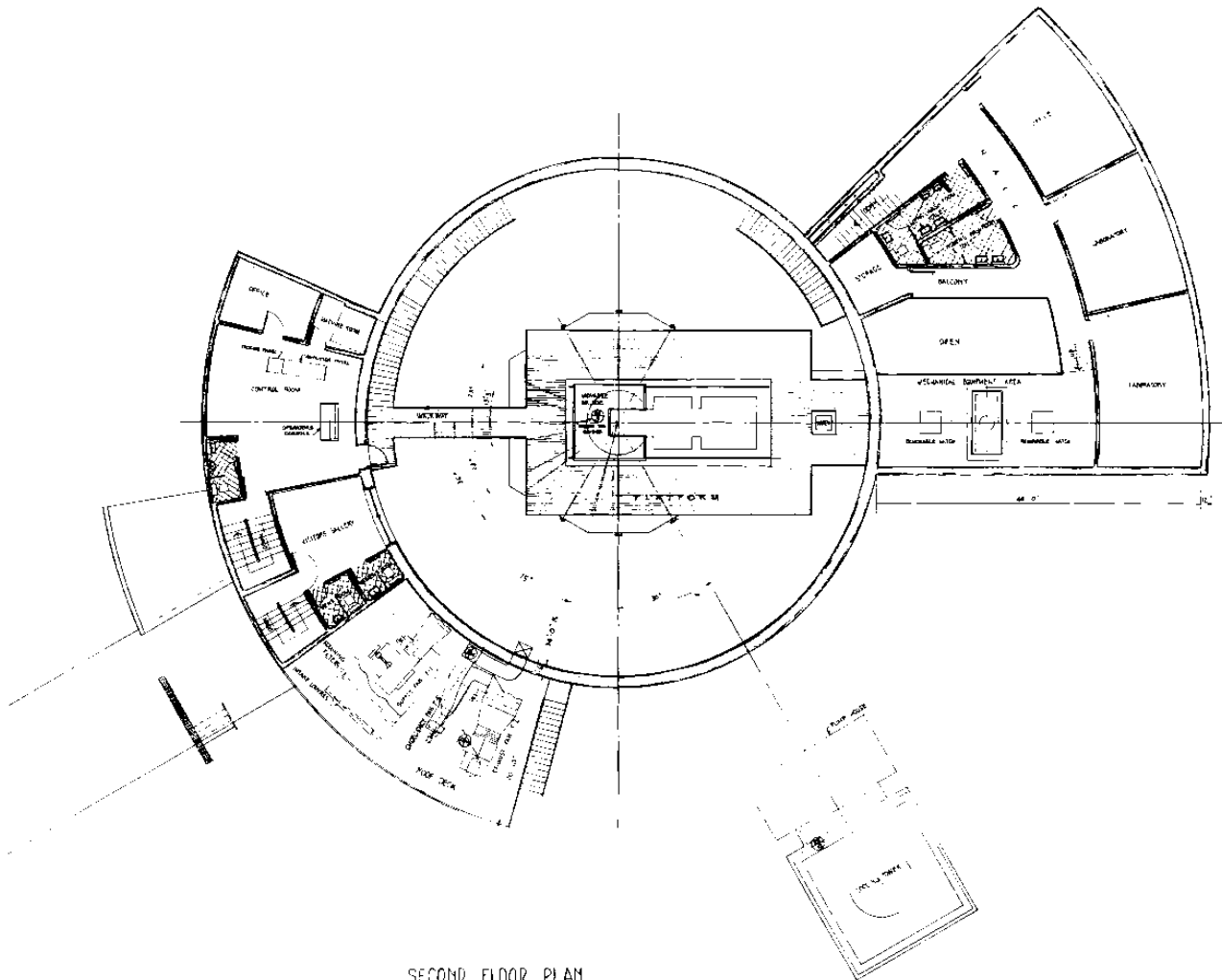
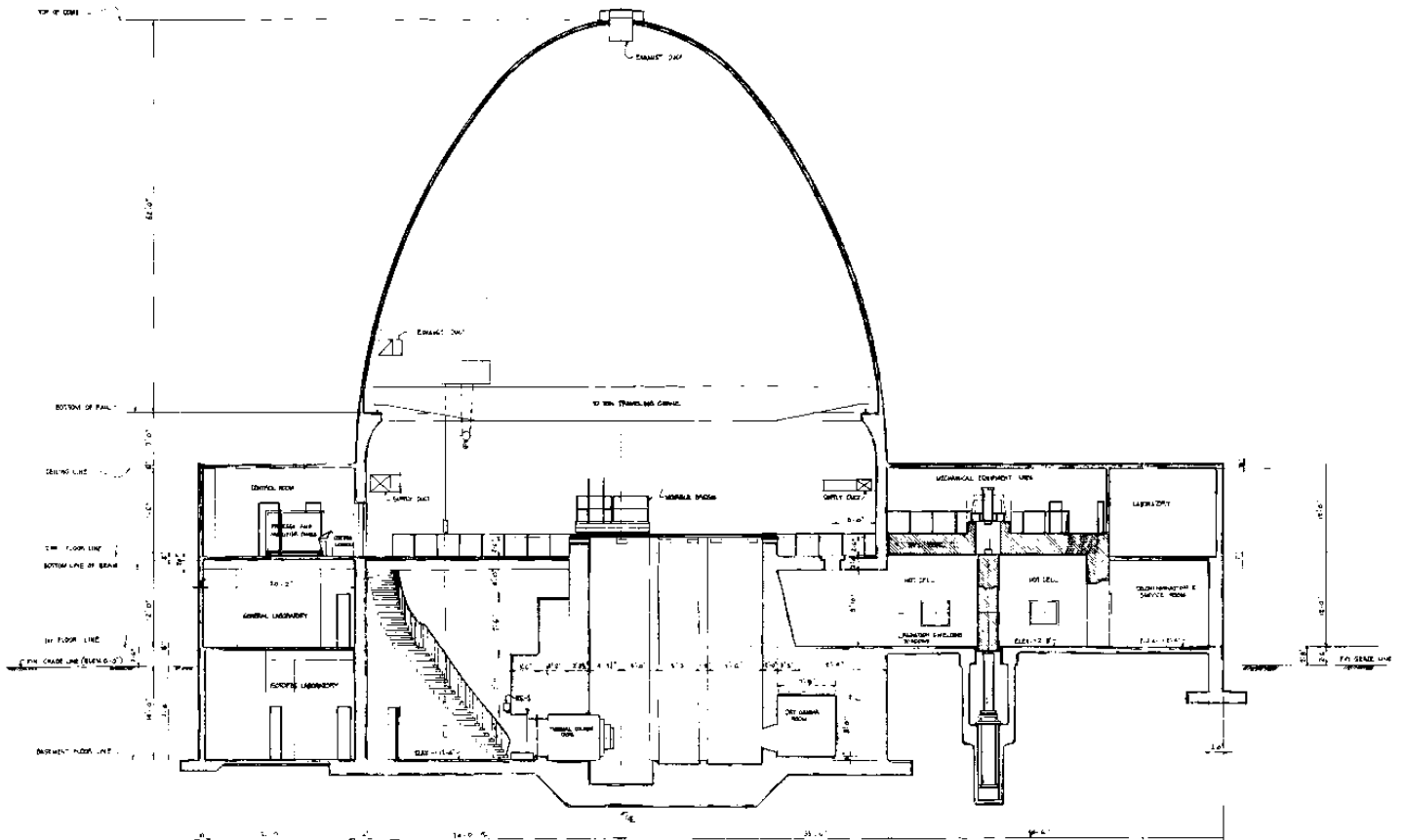


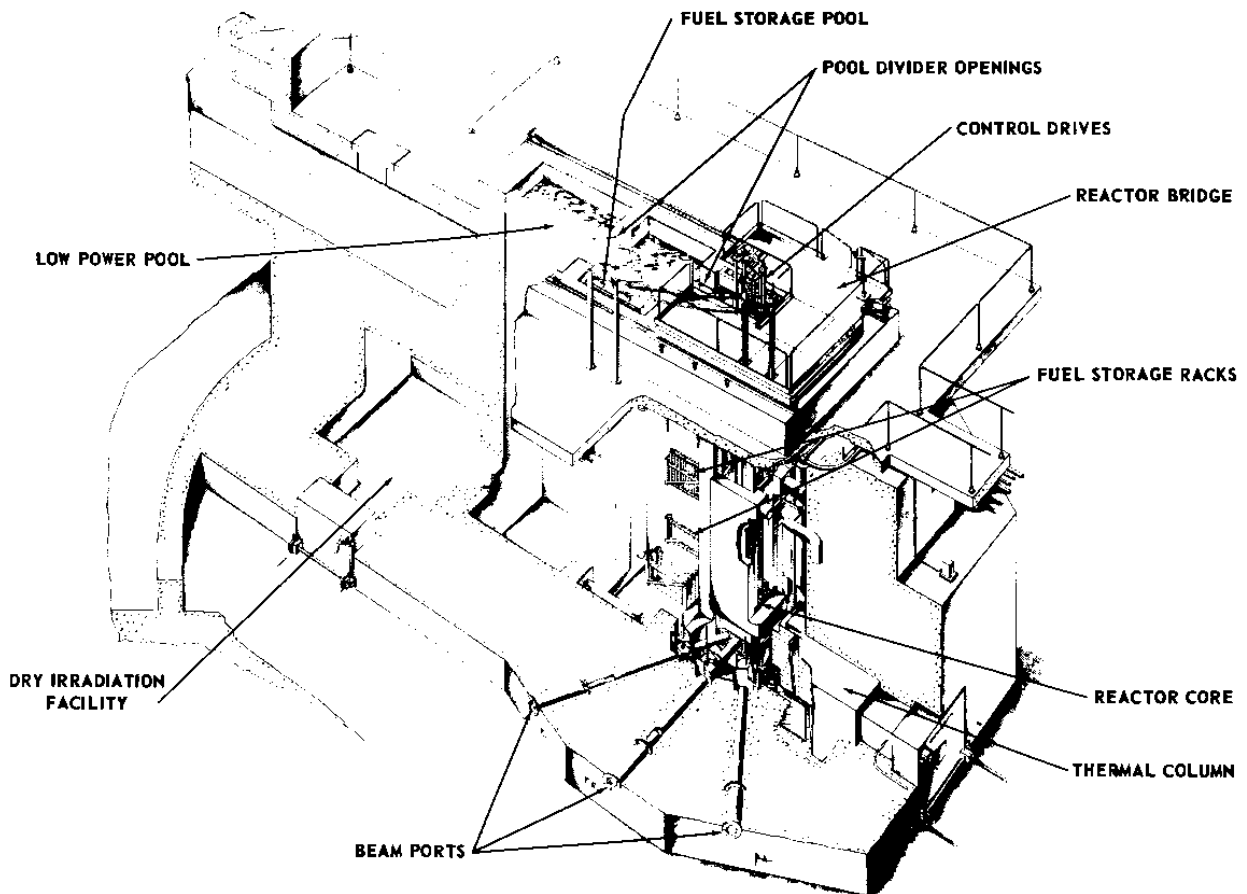
FIRST FLOOR PLAN
SCALE 3/16" = 1'-0"

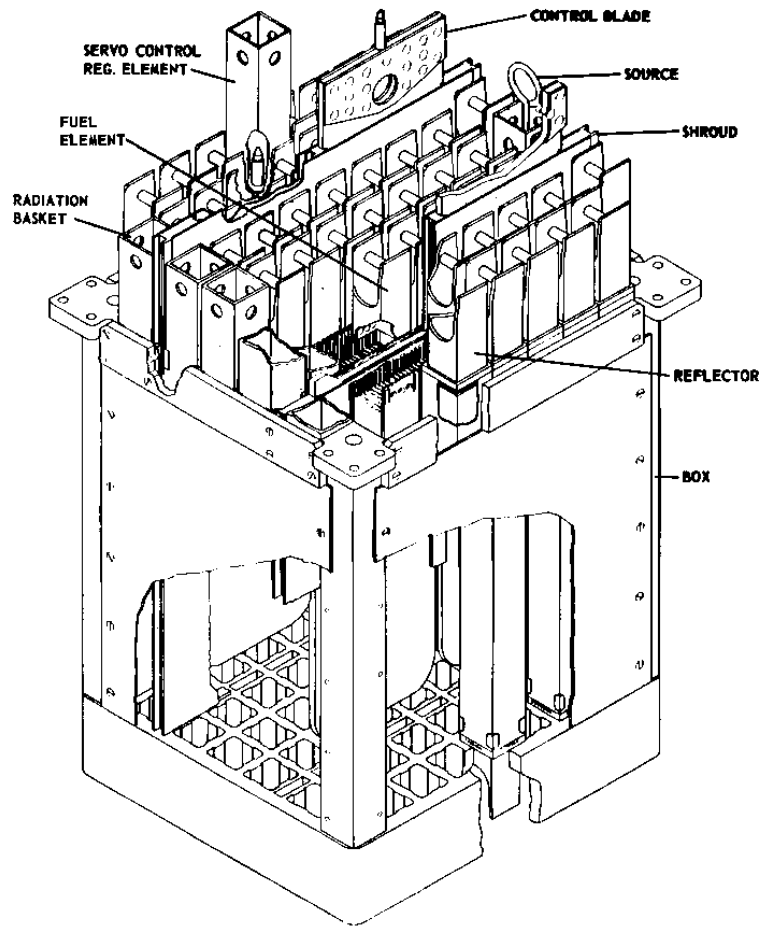


SECOND FLOOR PLAN
SCALE 3/16" = 1'-0"



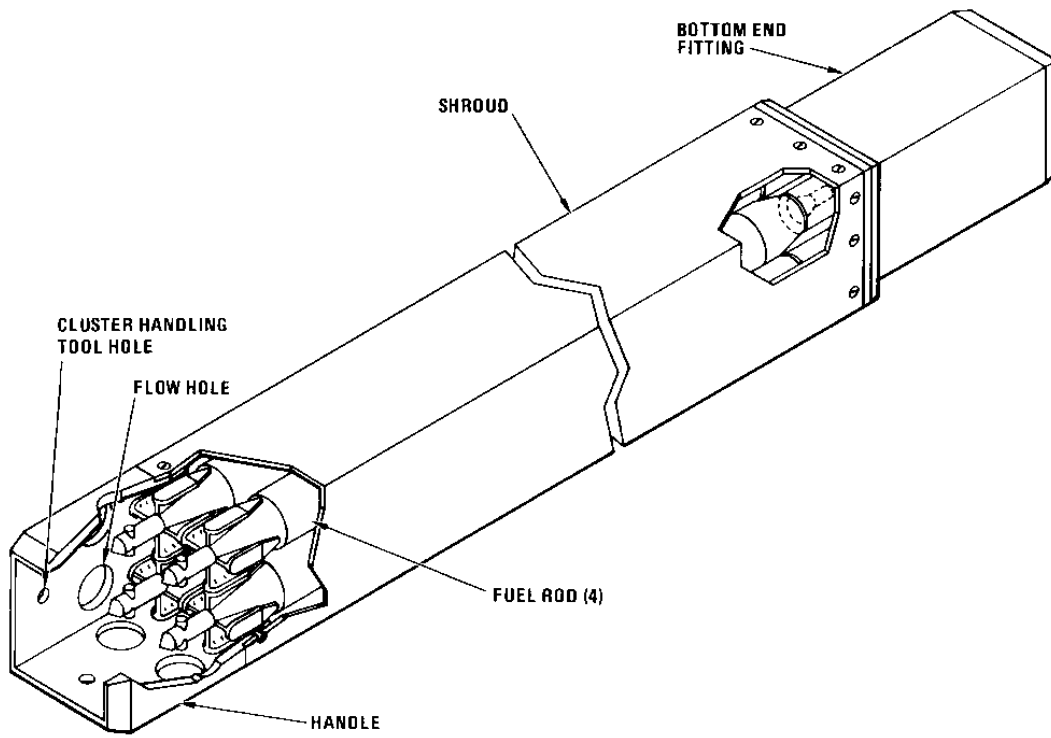
LONGITUDINAL SECTION
SCALE 1/16" = 1'-0"





OPEN POOL REACTOR CORE





Fuel cluster assembly

