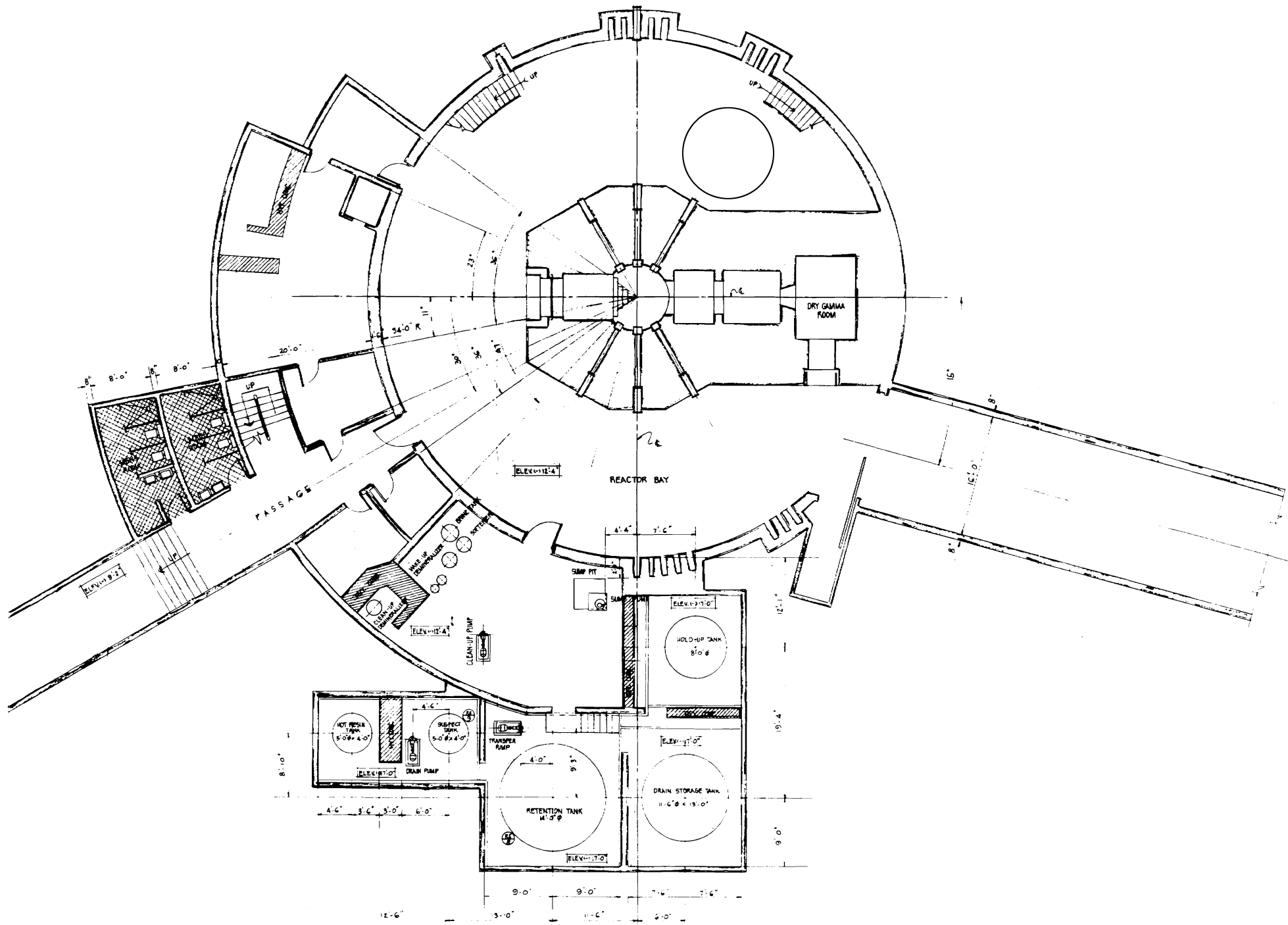
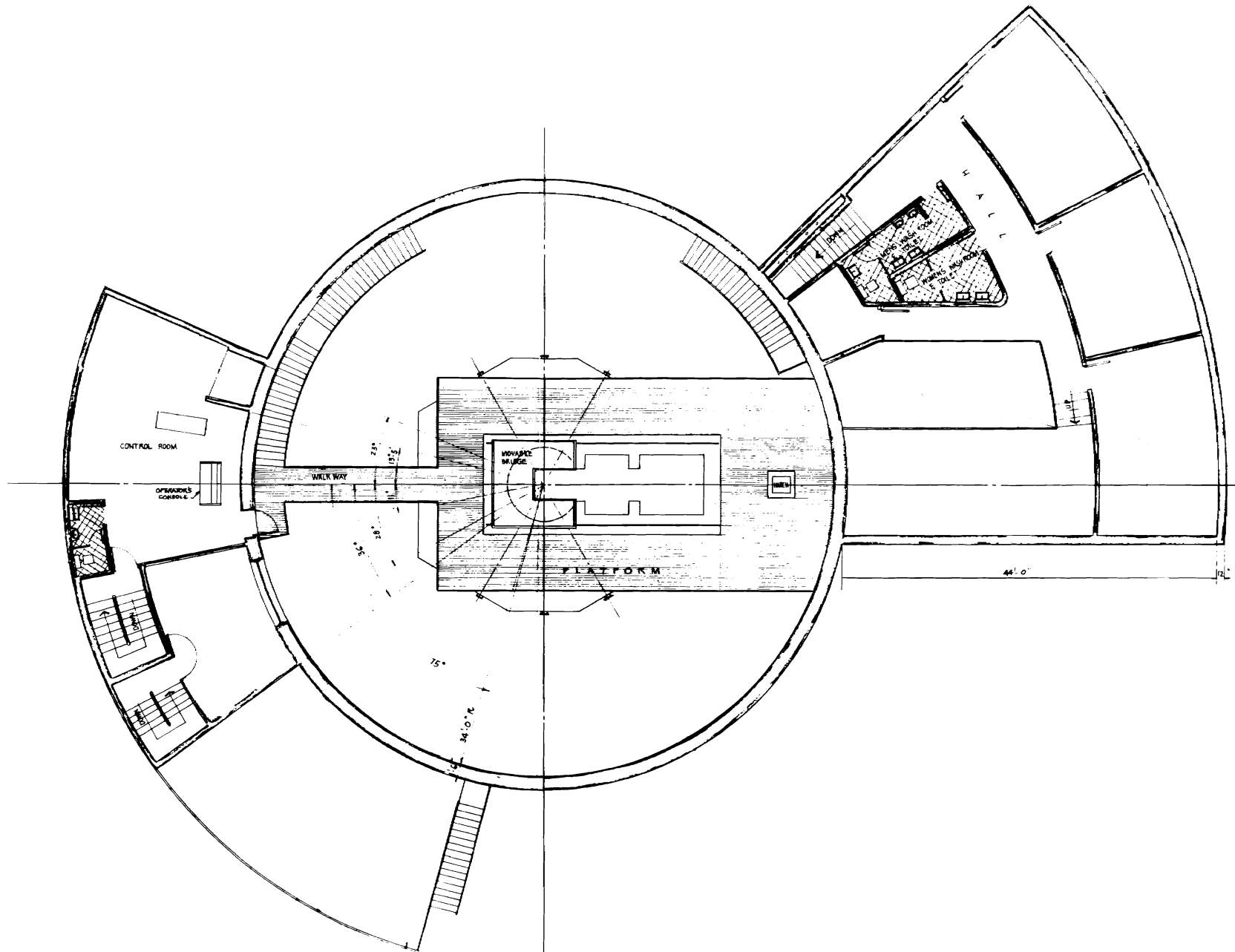


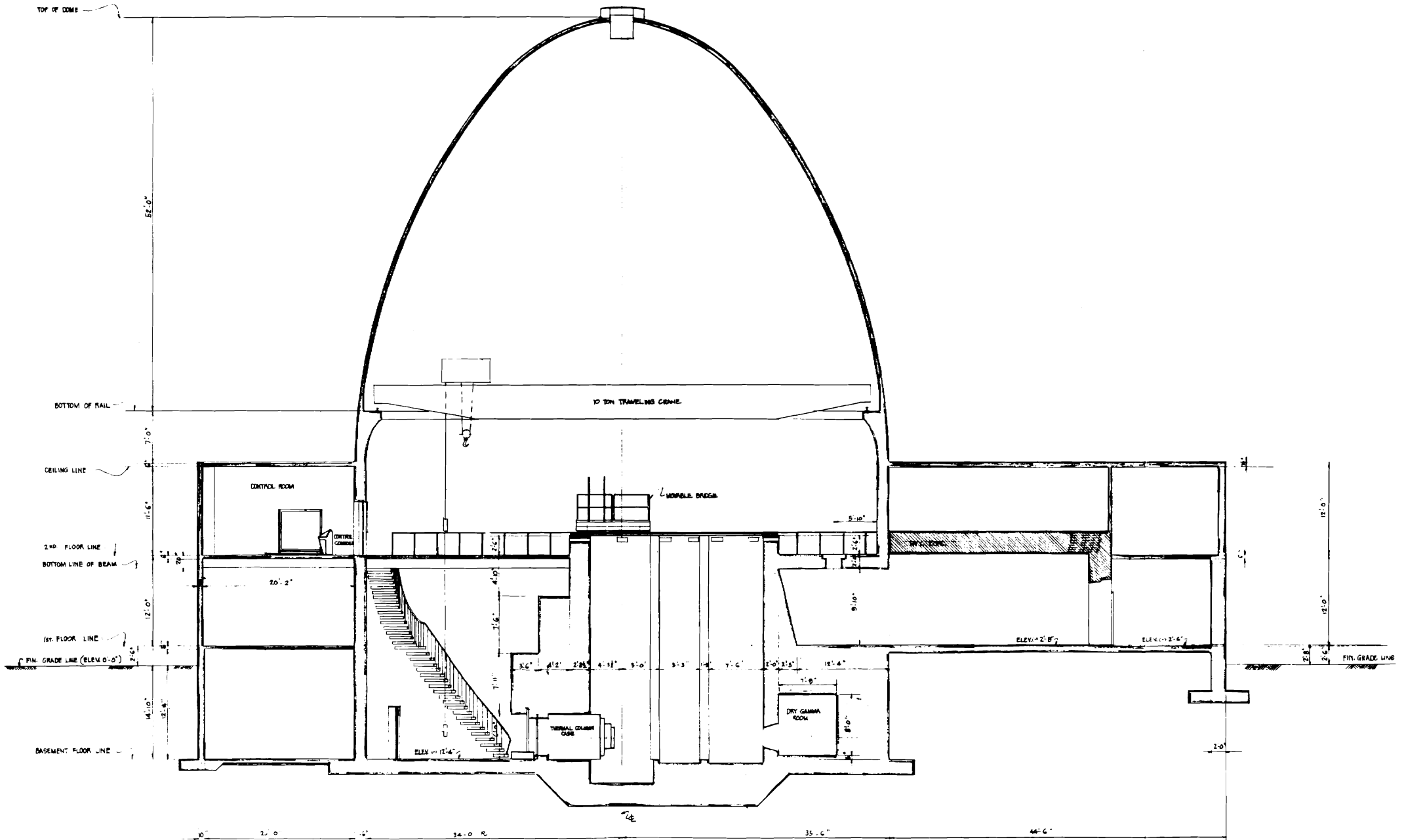
TRANSVERSE SECTION



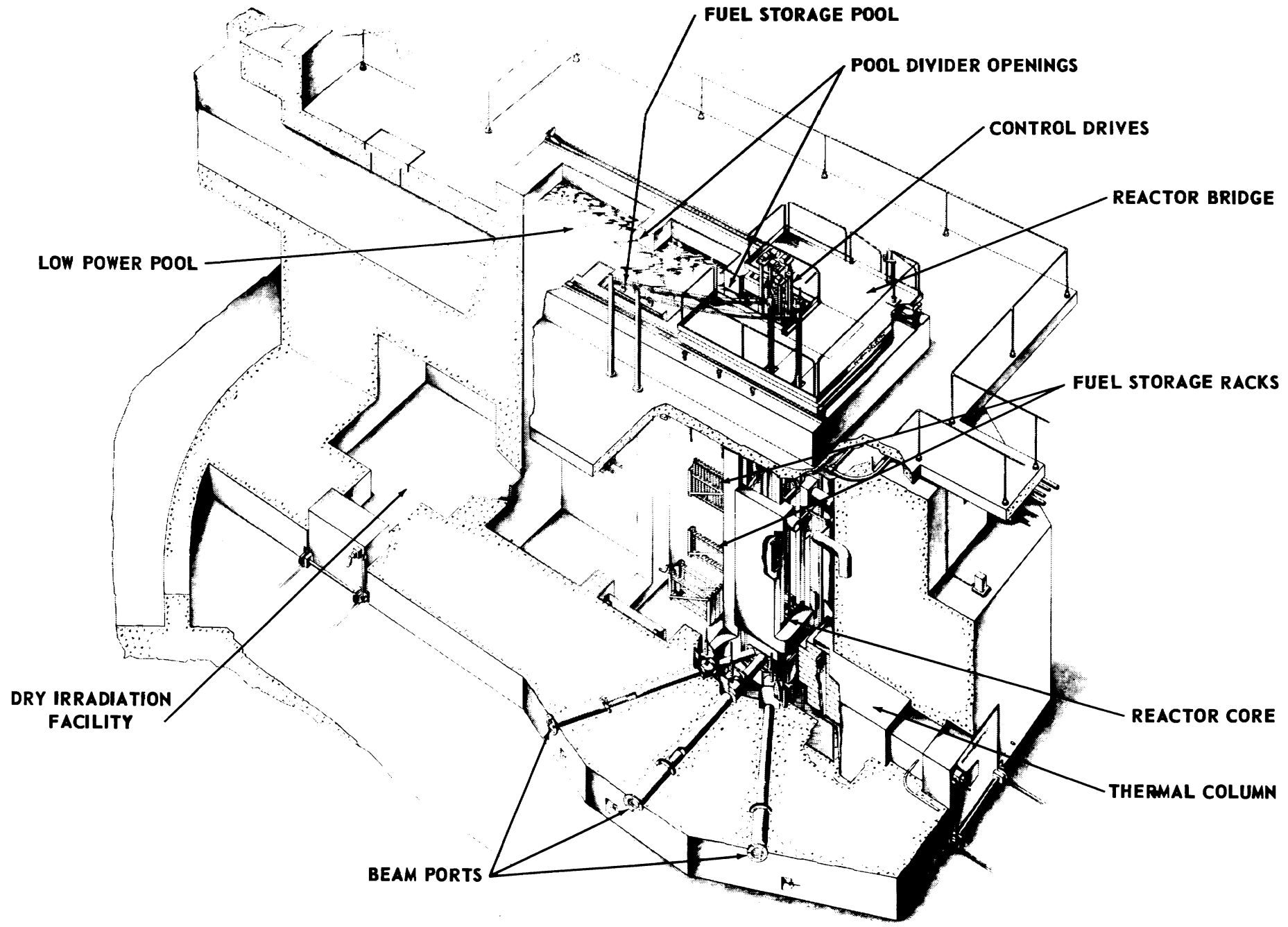
BASEMENT FLOOR PLAN

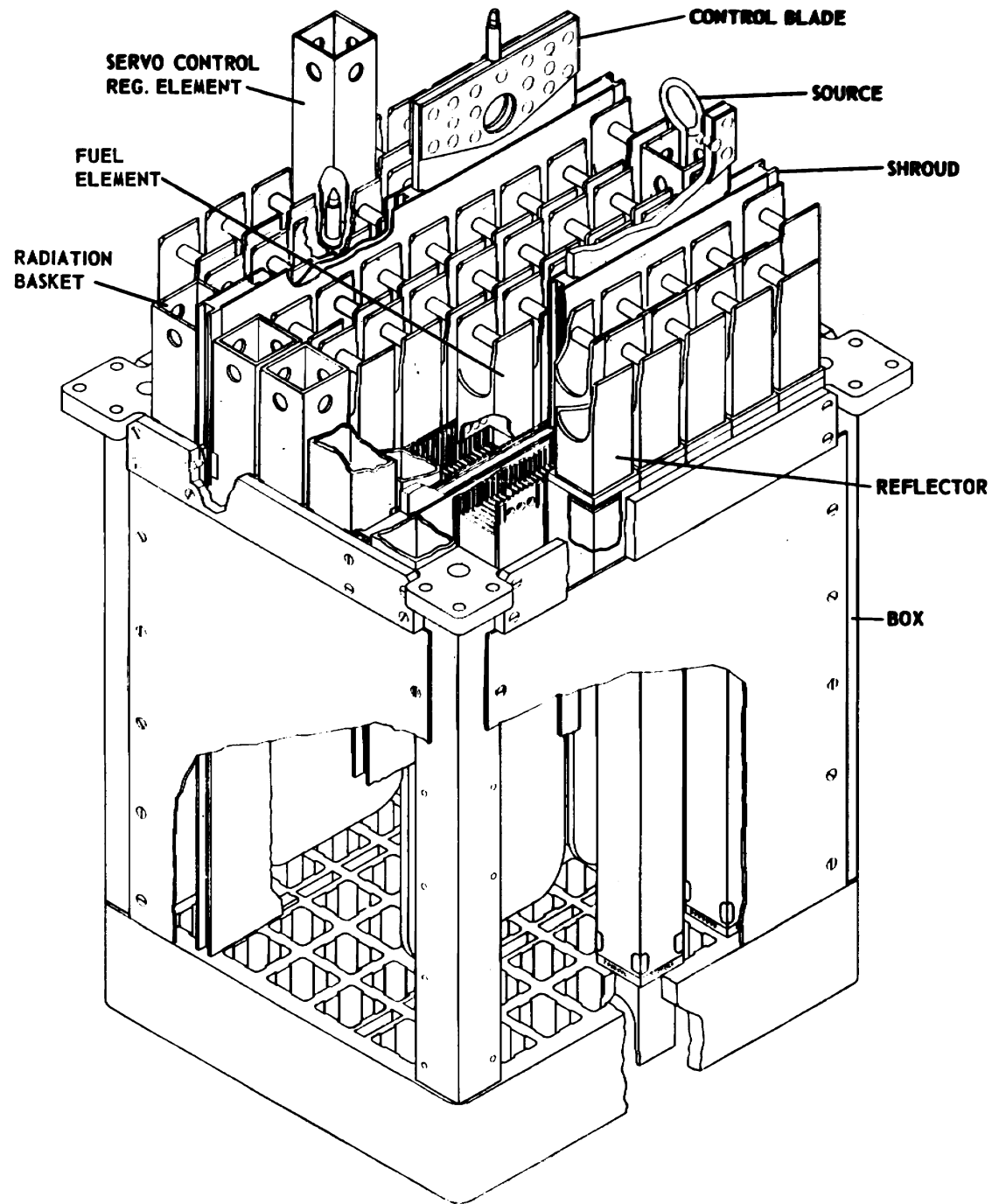


SECOND FLOOR PLAN



LONGITUDINAL SECTION





OPEN POOL REACTOR CORE



173D567

GENERAL ELECTRIC

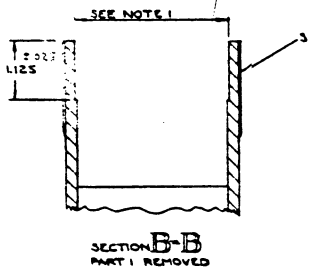
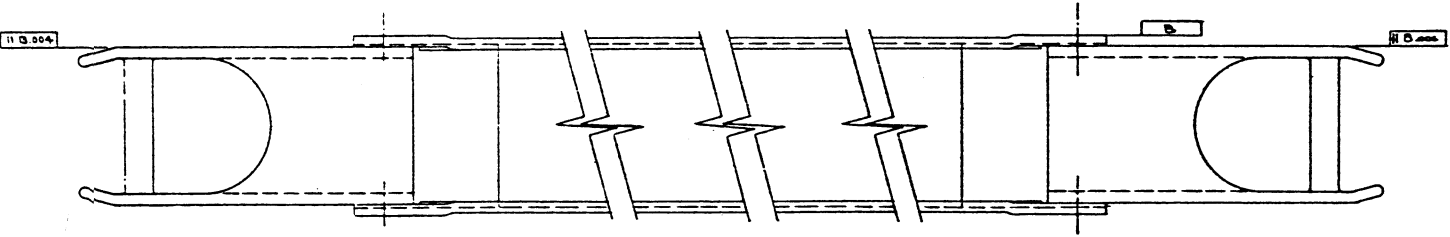
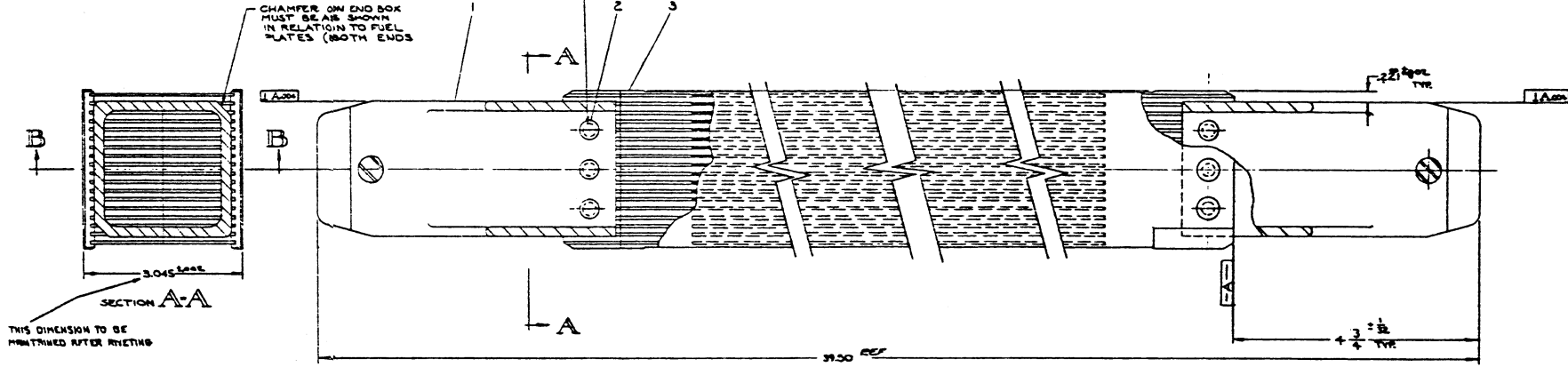
173D567

UNLESS OTHERWISE SPECIFIED USE THE FOLLOWING:		DRAWN BY		CHECKED BY		DATE	
APPROVED	DATE	DESIGNED	DATE	DESIGNED	DATE	DESIGNED	DATE
173D567				FUEL ELEMENT PLATE			

PL ISSUED

257 (F) DIA.
12 HOLES AT ASM.

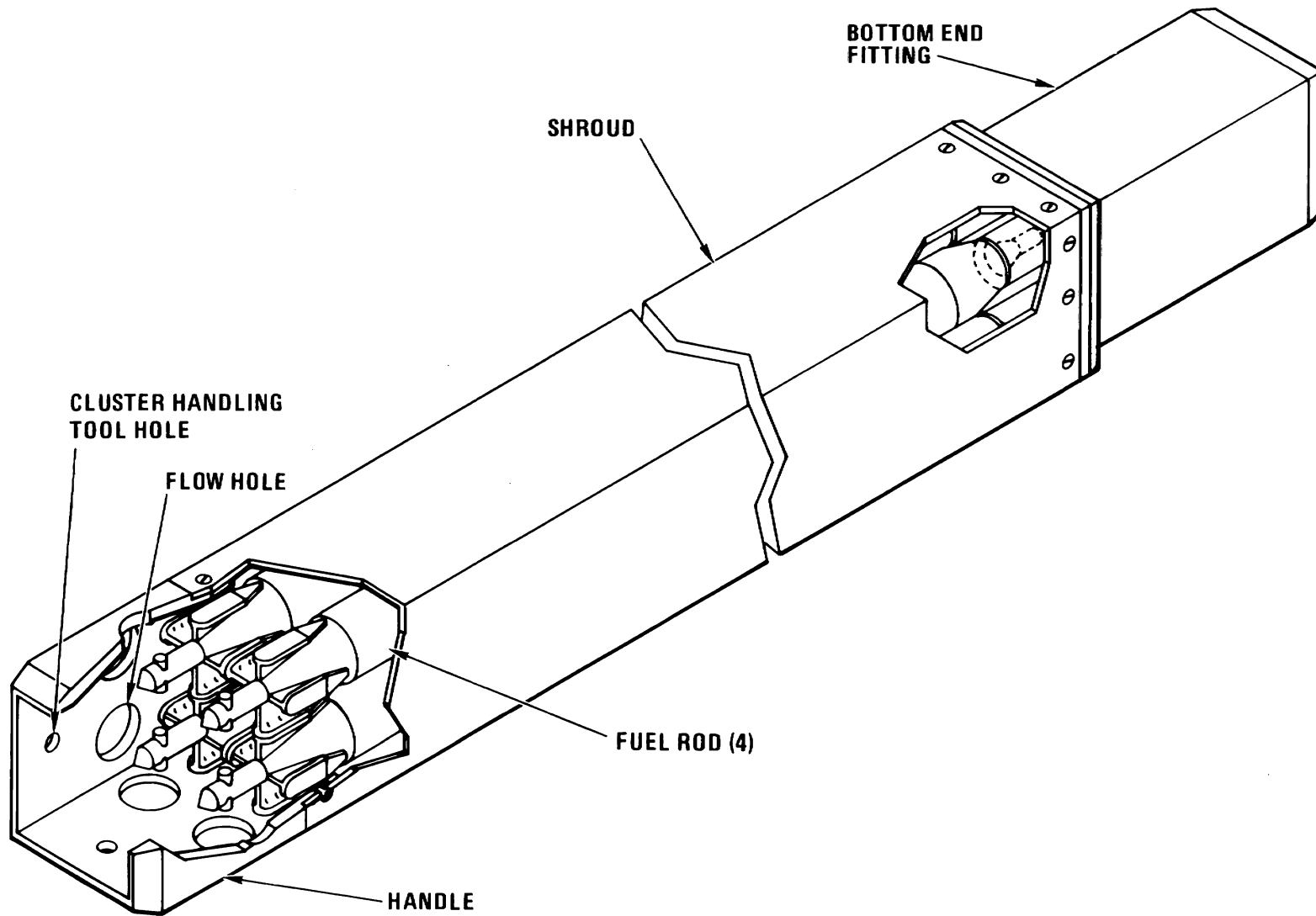
CHAMFER ON END BOX
MUST BE AS SHOWN
IN RELATION TO FUEL
PLATES (BOTH ENDS)



NOTES
 1 THIS DIM. TO SUIT END BOX TO BE PARALLEL WITHIN .001 ON INDICATED LENGTH. MACHINE TO SUIT IF NECESSARY.
 2 HEADS OF RIVETS TO BE FLUSH OR .010 BELOW SURFACE OF SIDE PLATES
 3 VAPOR DECREASE AFTER FINAL ASM.

REVISION	DATE	BY	CHKD BY

173D567
 9-1-58
 SAN JOSE



Fuel cluster assembly

